

# SRV-SS & SRV-SS-L

## STAINLESS STEEL SAFETY RELIEF VALVE



### ADVANTAGES

- ▷ Easily adjustable set pressure.
- ▷ Replaceable sealing disc.
- ▷ Tamper resistant dome (SRV-SS) or lockable lever (SRV-SS-L).
- ▷ Temperature range of -196°C to +290°C.
- ▷ 1 to 12 bar with one spring (metal sealing disc).

### OPTIONS

- ▷ Bronze version (Refer SRV & SRV-L range).
- ▷ Flanged version.
- ▷ 100% seal available with PTFE disc seal.
- ▷ Optional setting ranges:
  - 0.3 to 2 bar (metal sealing disc).
  - 2 to 10 bar (PTFE disc seal).
  - 11 to 20 bar (metal or PTFE sealing disc 15mm - 50mm).
  - 21 to 30 bar (metal sealing disc 15mm - 50mm)



SRV-SS



SRV-SS-L

### TECHNICAL DATA

Size Range	15mm - 50mm (other sizes on request)
Spring Range	1 - 12 Bar (standard metal sealing disc)
Temperature Range	-196°C to +290°C (metal sealing disc) - 60°C to + 185°C (optional PTFE disc seal)
Connections	BSP (standard) NPT or flanged (optional)

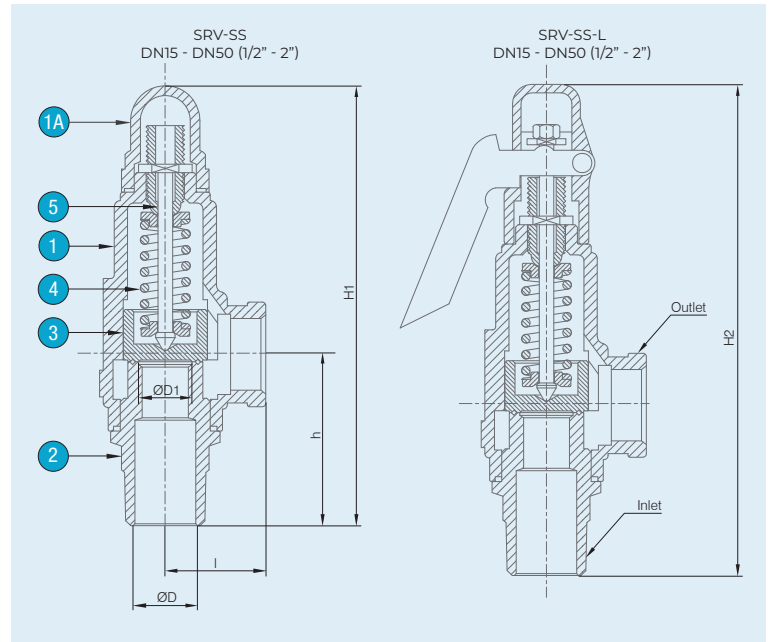
# SRV-SS & SRV-SS-L

## HIGH LIFT STAINLESS STEEL SAFETY RELIEF VALVE

### MATERIAL SPECIFICATIONS & PARTS LIST

NO.	DESCRIPTION	MATERIAL
1	Body	CF8M
1A	Cap	CF8M
2	Seat	CF8M
3	Sealing Disc	SS316
4	Spring	SS304
5	Stem	SS316

### DIMENSIONAL DRAWING



### DIMENSIONS (MM)

SRV-SS & SRV-SS-L											DISC SEAL SETTING RANGE (BAR)					
DN	INLET (INCH)	OUTLET (INCH)	ØD	ØD1	l	h	H1	H2	LIFT	SRV-SS WEIGHT (KG)	SRV-SS-L WEIGHT (KG)	STANDARD OPTIONAL				
												METAL	METAL	PTFE	PTFE OR METAL	METAL
15	1/2	1	13	22	40	67	176	199	0.88	1.1	1.3	1-12	0.3-2	2-10	11-20	21-30
20	3/4	1	19	22	40	67	176	199	0.88	1.2	1.3	1-12	0.3-2	2-10	11-20	21-30
25	1	1	25	22	40	71	180	203	0.88	1.2	1.3	1-12	0.3-2	2-10	11-20	21-30
32	1 1/4	2	32	38	66	93	255	279	1.52	4.6	4.8	1-12	0.3-2	2-10	11-20	21-30
40	1 1/2	2	38	38	66	98	260	284	1.52	4.6	4.8	1-12	0.3-2	2-10	11-20	21-30
50	2	2	50	38	66	98	260	284	1.52	4.6	4.9	1-12	0.3-2	2-10	11-20	21-30

### WATER FLOWRATE (L/MIN)

SIZE	BAR																			
	1	2	3	4	5	6	7	8	9	10	11	12	13	14	15	16	17	18	19	20
1/2"	24	33	41	47	53	58	62	67	71	74	78	82	85	88	91	94	97	100	103	105
3/4"	24	33	41	47	53	58	62	67	71	74	78	82	85	88	91	94	97	100	103	105
1"	24	33	41	47	53	58	62	67	71	74	78	82	85	88	91	94	97	100	103	105
1 1/4"	70	99	122	140	157	172	186	199	211	222	233	243	253	263	272	281	290	298	306	314
1 1/2"	70	99	122	140	157	172	186	199	211	222	233	243	253	263	272	281	290	298	306	314
2"	70	99	122	140	157	172	186	199	211	222	233	243	253	263	272	281	290	298	306	314

### AIR BLOWOUT CAPACITY (L/MIN)

SIZE	BAR																			
	1	2	3	4	5	6	7	8	9	10	11	12	13	14	15	16	17	18	19	20
1/2"	1257	1923	2588	3239	3904	4570	5220	5886	6551	7202	7867	8533	9198	9849	10515	11180	11831	12496	13162	13812
3/4"	1257	1923	2588	3239	3904	4570	5220	5886	6551	7202	7867	8533	9198	9849	10515	11180	11831	12496	13162	13812
1"	1257	1923	2588	3239	3904	4570	5220	5886	6551	7202	7867	8533	9198	9849	10515	11180	11831	12496	13162	13812
1 1/4"	3771	5738	7705	9672	11653	13620	15587	17569	19536	21503	23484	25451	27418	29400	31366	33333	35315	37282	39249	41216
1 1/2"	3771	5738	7705	9672	11653	13620	15587	17569	19536	21503	23484	25451	27418	29400	31366	33333	35315	37282	39249	41216
2"	3771	5738	7705	9672	11653	13620	15587	17569	19536	21503	23484	25451	27418	29400	31366	33333	35315	37282	39249	41216