

# RSSC

## RESILIENT SEATED SWING CHECK VALVE DN80-DN300



The RSSC is a full bore, angled disc swing check valve. Suitable for a wide range of industries including but not limited to water and wastewater.

Available with optional position monitoring and cover.

### ADVANTAGES

- ▷ Ideal for use with water and sewerage.
- ▷ Designed to prevent backflow in horizontal or vertical pipelines.
- ▷ Angled disc seat holds the disc open avoiding fluctuations.
- ▷ Designed and production tested in accordance with AS4794.
- ▷ Body and bonnet are made of high grade ductile iron.
- ▷ Fusion Bonded Epoxy coating to AS4158 internally and externally providing longer life and excellent corrosion resistance.
- ▷ Full bore design prevents build up of debris and reduces head loss.
- ▷ Bonnet allows for easy access for cleaning and maintenance without having to remove the valve from the pipeline.
- ▷ Lifting lugs and support feet for easy handling.

### OPERATIONS

When the pipeline is in operation the medium opens the valve. Once the flow stops the disc returns to the seat in the valve. This is assisted by the lever and weight, preventing backflow.



### TECHNICAL DATA

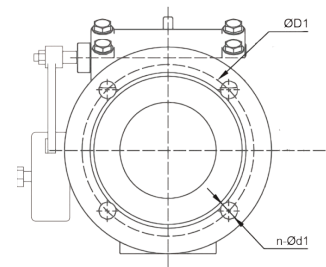
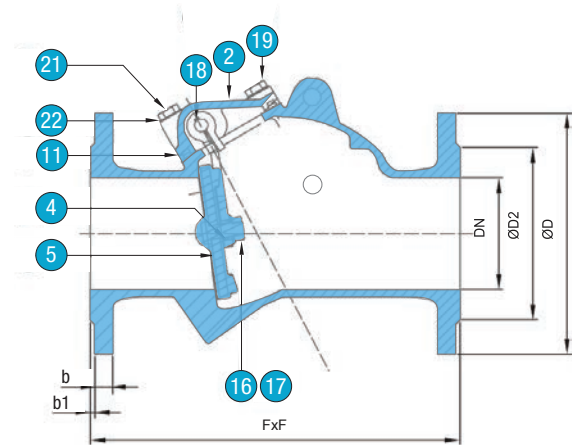
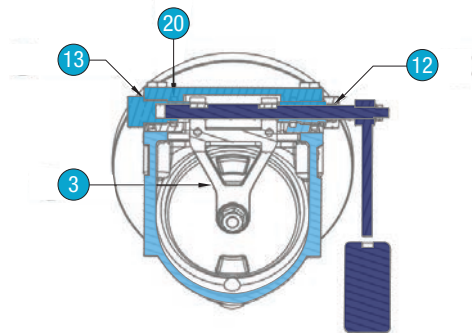
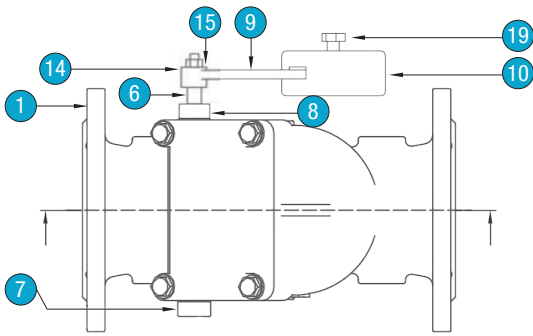
Size Range	DN80-DN300
Pressure Classes	PN16
Face to Face	According to AS4794
Temperature Range	0°C to 60°C
Flange Drilling	AS4087 B5 (Table D)   Option: AS2129 (Table E)
Coating	AS4158

### MATERIAL SPECIFICATIONS & PARTS LIST

NO.	DESCRIPTION	MATERIAL
1	Body	Ductile Iron GGG50
2	Bonnet	Ductile Iron GGG50
3	Hinge	SS316
4	Bushing	Bronze
5	Disc	Steel & NBR
6	Stem	SS316
7	Bushing	Bronze
8	Bushing	Bronze
9	Arm	Ductile Iron
10	Weight	Ductile Iron GGG50
11	Gasket	NBR

NO.	DESCRIPTION	MATERIAL
12	O-Ring	NBR
13	O-Ring	NBR
14	Washer	NBR
15	Nut	SS316
16	Washer	SS316
17	Nut	SS316
18	Key	SS316
19	Bolt	SS316
20	O-Ring	SS316
21	Bolt	SS316
22	Washer	SS316

### DIMENSIONAL DRAWING



### DIMENSIONS (MM)

DN	FxF	b	b1	ØD	ØD1	ØD2	N-Ød1	TOTAL WEIGHT (KG)	COUNTER WEIGHT (KG)	MIN. OPERATING PRESSURE (BAR)
80	260	18	3	185	146	122	4-18	20	2.5	0.64
100	330	20	3	215	178	154	4-18	28	2.5	0.5
150	410	23	3	280	235	211	8-18	56	5	0.22
200	540	23	3	335	292	268	8-18	92	5	0.15
250	640	24	3	405	356	328	8-22	164	5	0.11
300	700	30	4	455	406	378	12-22	242	5	0.07

### OPTIONS



SS316 COVER



POWDER COATED YELLOW COVER



OPEN/CLOSE POSITION MONITORING



ARM AND WEIGHT RIGHT HAND ORIENTATION  
Orientation reference from the top of the valve flow forward.

### ORDERING CHART

MODEL	SIZE	DRILLING	OPEN/CLOSE POSITION MONITORING	COVER	ARM & WEIGHT ORIENTATION
RSSC	80	- T/D	- O No Position Monitoring	- O No Cover	- L Left Orientation (Standard)
	100	- T/E	- L With Position Monitoring	- S 316 Stainless Steel Cover	- R Right Orientation
	150			- P Yellow Powder Coated 316SS Cover	
	200				
	250				
	300				

EXAMPLE	DN 100 Table D drilled valve with open/close position monitoring and yellow powder coated 316SS cover with left arm & weight orientation.
	RSSC-100-T/D-L-P-L