

FACTORY ACCREDITED:



TECHNICAL DATA

Size Range:	6mm - 20mm
Suitable for:	Fluids and air under 20 CST
Maximum Temperature:	80°C
Voltages available:	24VAC, 240VAC, 12VDC, 24VDC, 110VAC
Connections:	BSPF (standard) NPT (optional)

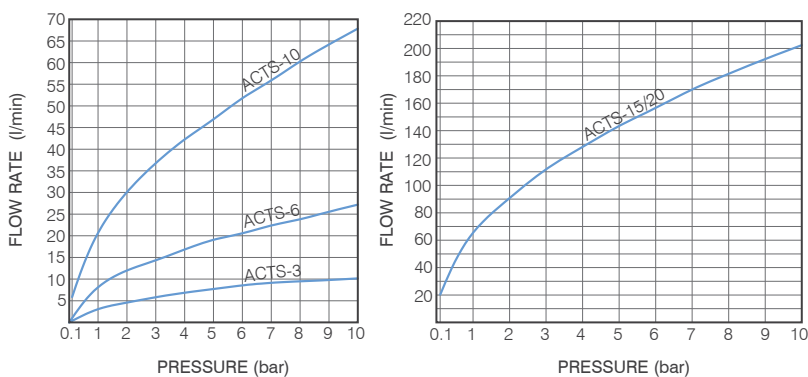
The ACTS is a direct acting, normally closed solenoid valve that will work from zero (0) pressure and is available in Clear Plexiglass (perspex).

All models feature interchangeable coils and Viton diaphragm.

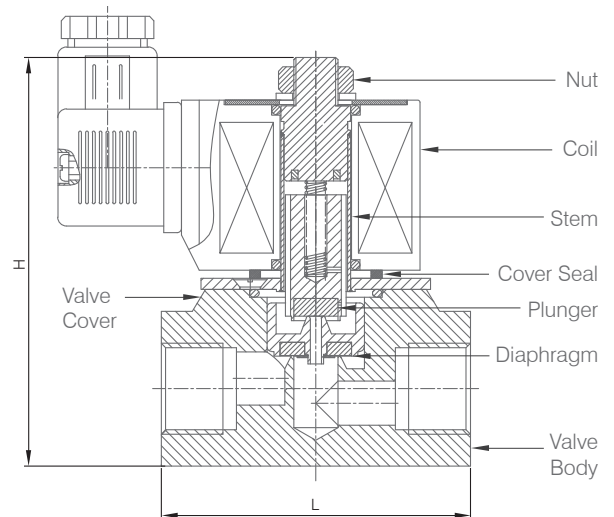
FEATURES

- Non corrosive body materials.
- Viton diaphragm, others available on request.
- LED din plug available.
- All voltages interchangeable.
- Allows viewing of fluid.

PRESSURE LOSS CHART



PARTS LIST



DIMENSIONS

MODEL	FUNCTION	BODY MATERIAL	SIZE (MM)	L x H (MM)	CV FACTOR
ACTS	Normally Closed	Plexiglass	6	50 x 82	0.6
			10	70 x 92	0.6
			15	80 x 98	1.5
			20	80 x 98	4.5

SELECTION LIST

MODEL & SIZE (MM)	MINIMUM PRESSURE	OPERATING PRESSURE BAR (AIR)		OPERATING PRESSURE BAR (WATER)		OPERATING PRESSURE BAR (OIL)		POWER CONSUMPTION		COIL TYPE & CODE (D=DIN PLUG)			
		AC	DC	AC	DC	AC	DC	24/240VAC (VOLT AMPS)	12/24VDC (WATTS)	240VAC	24VAC	24VDC	12VDC
6	0	6	6	6	6	—	—	48/20	20	D01-41014	D01-4104	D01-4106	D01-4107
10 - 20	0	10	10	10	10	—	—	48/20	20	D01-41014	D01-4104	D01-4106	D01-4107