

TECHNICAL DATA

Size Range:	DN50 - DN600
Pressure Class	PN16
Face to face:	AS2638.1 & ANSI B16.10
Flange Drilling:	AS4087CL16 (ANSI B16.10) AS2129 Table E/D also available.
Hydraulic Test to AS2638.1:	
Seat Test Pressure:	18bar
Body Test Pressure:	24bar

FEATURES

- Solid wedge
- Back seating design
- Outside screw and yoke
- Seat rings are pressed into wedge and body
- Fusion bonded epoxy coated

OPTIONS

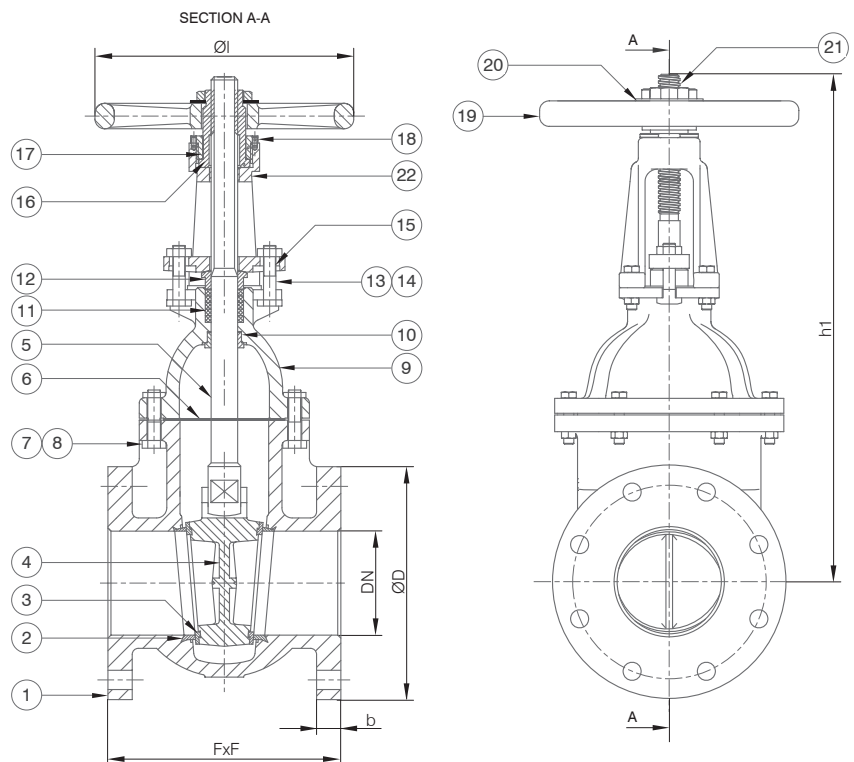
- Gearbox
- By-pass valve
- Clockwise or anti-clockwise

MATERIAL SPECIFICATION & PARTS LIST

NO.	DESCRIPTION	MATERIAL
1	Body	Ductile Iron
2	Seat Rings	Cast Bronze
3	Wedge Face Rings	Cast Bronze
4	Wedge	Ductile Iron
5	Stem	SS316
6	Body Gasket	Graphite
7	Bolts	SS316
8	Nuts	SS316
9	Bonnet	Ductile Iron
10	Back Seat Bushing	Cast Brass
11	Packing	Graphite
12	Packing Gland	Cast Brass
13	Gland Follower Bolts	SS316
14	Gland Follower Nuts	SS316
15	Gland Follower	Ductile Iron
16	Yoke Bushing	Cast Bronze
17	Yoke Bushing Nut	Ductile Iron
18	Screw	SS316
19	Hand wheel	Ductile Iron
20	Identification Plate	Aluminium
21	Hand wheel Nut	Ductile Iron
22	Yoke	Ductile Iron



DIMENSIONAL DRAWINGS



DIMENSIONS (MM)

MSGV-RS DN50 - DN200					
DN	FxF	b	ØI	h1	ØD
50	178	15.8	178	405	152
65	191	17.5	178	415	178
80	203	19	190	486	191
100	229	23.9	250	632	229
125	254	23.9	300	710	254
150	267	25.4	300	842	279
200	292	28.5	356	1100	343
250	330	30.2	400	1228	406

MSGV-RS DN300 - DN600					
DN	FxF	b	ØI	h1	ØD
300	356	31.8	457	1373	483
350	381	35	508	1595	533
400	406	36.6	558	1900	597
450	432	39.6	610	2210	635
500	457	42.9	610	2600	699
600	508	47.8	762	3040	813
750	610	53.9	900	3400	984
900	711	60.5	900	3950	1168

* Other sizes available on request.