

3 WAY-PPMH SERIES

3 WAY REDUCED BORE BSP LEVER OPERATED
316 STAINLESS STEEL BALL VALVE
DIRECT MOUNTING PAD



ADVANTAGES

- ▷ Direct mount pad to ISO5211.
- ▷ L or T Port.
- ▷ Threaded BSP, NPT on request.
- ▷ Quality Investment casting body & end cap.
- ▷ Internal entry blow-out proof stem.
- ▷ Lever handle with locking device.



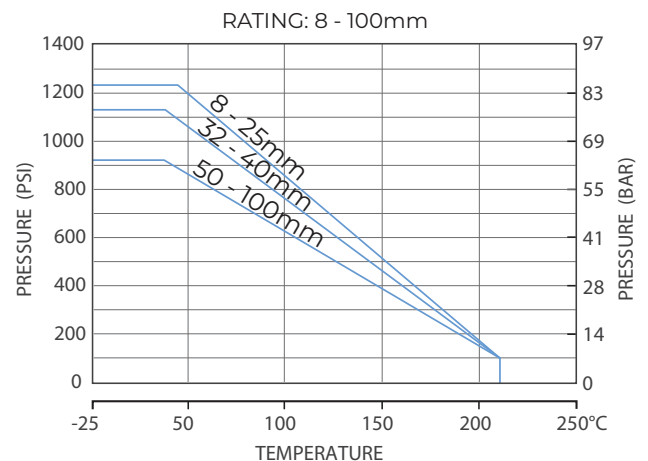
TECHNICAL DATA

Size Range	DN08 - DN100 (1/4" - 4")
Pressure Rating	1000 PSI W.O.G
Pressure Test	API598

FIGURE 1. FLOW PATTERN

OPTIONS	1	2	3	4
L PORT				
T PORT				

PRESSURE RATINGS



3 WAY-PPMH SERIES

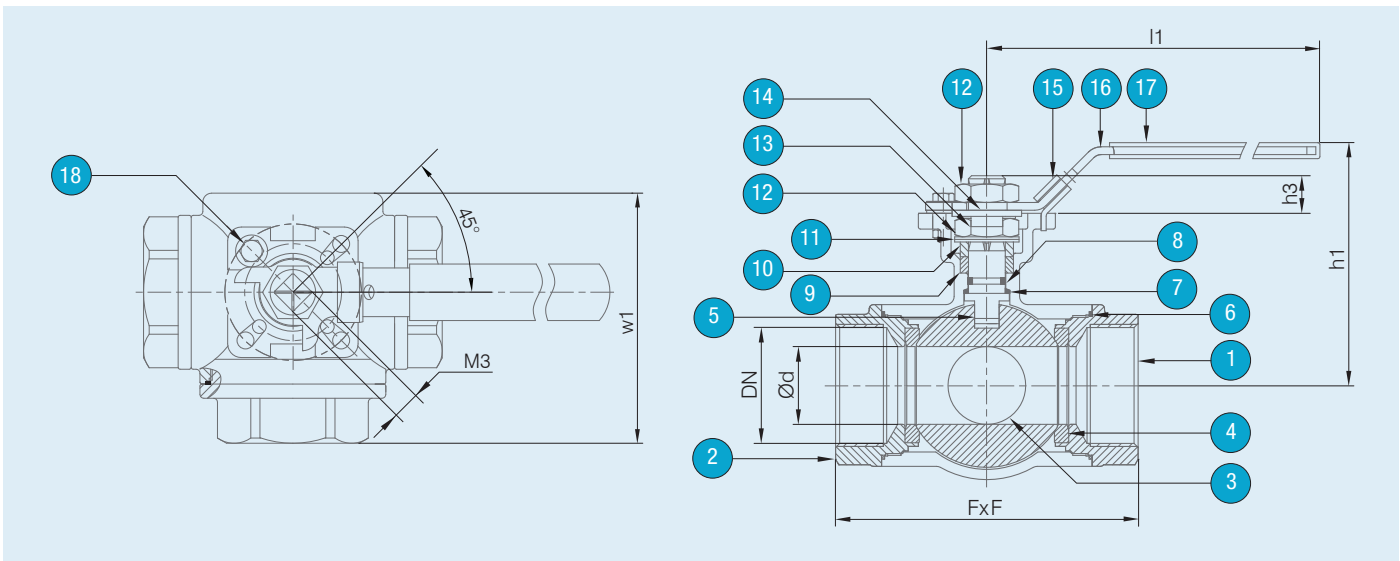
3 WAY REDUCED BORE BSP LEVER OPERATED BALL VALVE

MATERIAL SPECIFICATIONS & PARTS LIST

NO.	DESCRIPTION	MATERIAL
1	Body	CF8M
2	Cap	CF8M
3	Ball	CF8M
4	Seat	15% R-PTFE
5	Stem	SS316
6	Gasket	PTFE
7	Thrust Washer	PTFE
8	O-Ring	Viton
9	Packing	PTFE

NO.	DESCRIPTION	MATERIAL
10	Gland	SS304
11	Belleville Washer	SS304
12	Stem Nut	SS304
13	Stop Washer	Plastic
14	Handle Washer	SS304
15	Locking Device	SS304
16	Handle	SS304
17	Handle Sleeve	Plastic
18	Stop Pin	SS304

DIMENSIONAL DRAWING



DIMENSIONS (MM)

3 WAY-PPMH (DN08 - DN100)								ISO 5211 TOP FLANGE				
DN	NPS	ØD	FxF	h1 (+5)	h3	l1 (+5)	w1	FLANGE NO.	M3	TORQUE (N.m)	CV FACTOR (GALLON/MIN)	WEIGHT (KG)
08	1/4"	9.5	75	66	8.5	130	57.5	F03/04	9	8.2	14.7	0.7
10	3/8"	11	75	66	8.5	130	57.5	F03/04	9	8.2	19.7	0.7
15	1/2"	12	75	66	8.5	130	57.5	F03/04	9	8.2	23.45	0.6
20	3/4"	15	85	72	11	161	65.5	F04/05	11	9.2	38.08	0.9
25	1"	20	100	77	12	161	79	F04/05	11	15.3	70.57	1.4
32	1 1/4"	25	122	92	13.5	203	97	F05/07	14	20.4	112.75	2.9
40	1 1/2"	32	131	96	13.5	203	106.5	F05/07	14	30.6	189.07	3.6
50	2"	40	158	107	13	203	129	F05/07	14	45.9	310.59	6.2
65	2 1/2"	49	178	135	18	254	145	F07/10	17	51	478.85	8.7
80	3"	60	202	147	17	254	167	F07/10	17	81.6	717.98	12.8
100	4"	75	246	160	20	310	203	F07/10	17	112.2	1154.36	20.6

ORDERING CHART

MODEL	PORT	SIZE			ATTACHMENT
3-WAY	L	-08	-25	-65	BSP
	T	-10	-32	-80	NPT*
		-15	-40	-100	
		-20	-50		

EXAMPLE

3-WAY, T Port, 10mm, BSP
3-WAY-T-PPMH-10-BSP

* Special order available on request

54 Enterprise Drive, Bundoora, VIC, 3083
 p. 1300 789 256 | e. sales@avfi.com.au
 avfi.com.au

Designs, material and specifications shown are subject to change without notice due to our continuing program of product development.

All content is protected by Copyright and is owned and/or licensed by AVFI Pty Ltd. Copyright © AVFI Pty Ltd

