

# V3WAY SERIES

3 WAY REDUCED BORE BSP LEVER OPERATED  
316 STAINLESS STEEL BALL VALVE  
NON-DIRECT MOUNTING PAD



## ADVANTAGES

- ▷ L or T Port.
- ▷ Threaded BSB, NPT on request.
- ▷ Quality Investment casting body & cap.
- ▷ Internal entry blow-out proof stem.
- ▷ Lever handle with locking device.
- ▷ Mount pad (65 & 80mm only).



## TECHNICAL DATA

Size Range	DN08 - DN80 (1/4" - 3")
Pressure Rating	1000 PSI W.O.G
Pressure Test	API598

# V3WAY SERIES

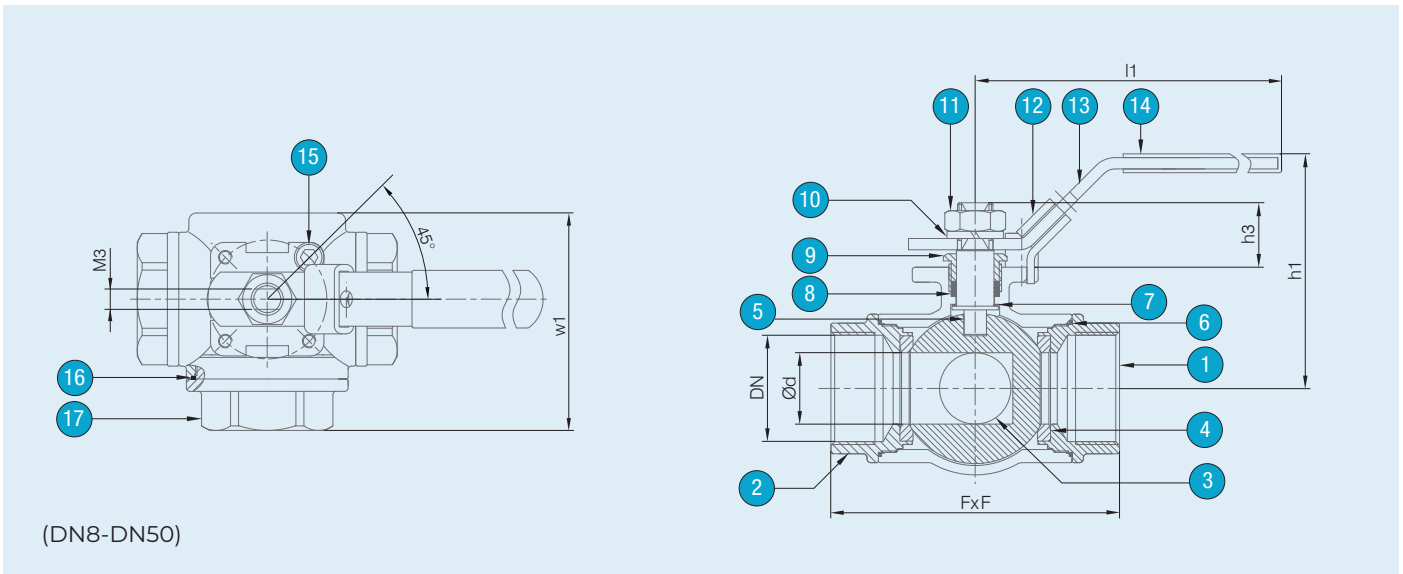
## 3 WAY REDUCED BORE BSP LEVER OPERATED BALL VALVE

### MATERIAL SPECIFICATIONS & PARTS LIST

NO.	DESCRIPTION	MATERIAL
1	Body	CF8M
2	Cap-B	CF8M
3	Ball	CF8M
4	Seat	PTFE
5	Stem	SS316
6	Gasket-B	PTFE
7	Thrust Washer	PTFE
8	Packing	PTFE
9	Gland	SS304

NO.	DESCRIPTION	MATERIAL
10	Spring Washer	SS304
11	Stem Nut	SS304
12	Locking Device	SS304
13	Handle	SS304
14	Handle Sleeve	Plastic
15	Stop Pin	SS304
16	Gasket-A	PTFE
17	Cap-A	CF8M

### DIMENSIONAL DRAWING



### DIMENSIONS (MM)

V3WAY (DN08 - DN50)								ISO 5211 TOP FLANGE				
DN	NPS	Ød	FxF	h1	h3	l1	w1	M3	TORQUE (N.m)	CV FACTOR		WEIGHT (KG)
										L PORT	T PORT	
08	1/4"	11.6	76	67	18	153	58.5	8	17	5	6	0.77
10	3/8"	12.5	76	67	18	153	58.5	8	17	5	6	0.72
15	1/2"	12.5	76	67	18	153	58.5	8	20	11	12	0.68
20	3/4"	16	86	77	20	153	72	8	25	14	16	1.13
25	1"	20	99	83	23	183	81.5	9.5	29	18	20	1.64
32	1 1/4"	25	117	88	23	183	94.5	9.5	35	43	46	2.22
40	1 1/2"	32	124	116	34	246	104	12	48	84	88	3.83
50	2"	38	148	124	34	246	125	12	61	90	98	5.84

FIGURE 1. STOP PIN TYPE

DN8 - DN32  
(1/4" - 1 1/4")



DN40 & DN50  
(1 1/2" - 2")



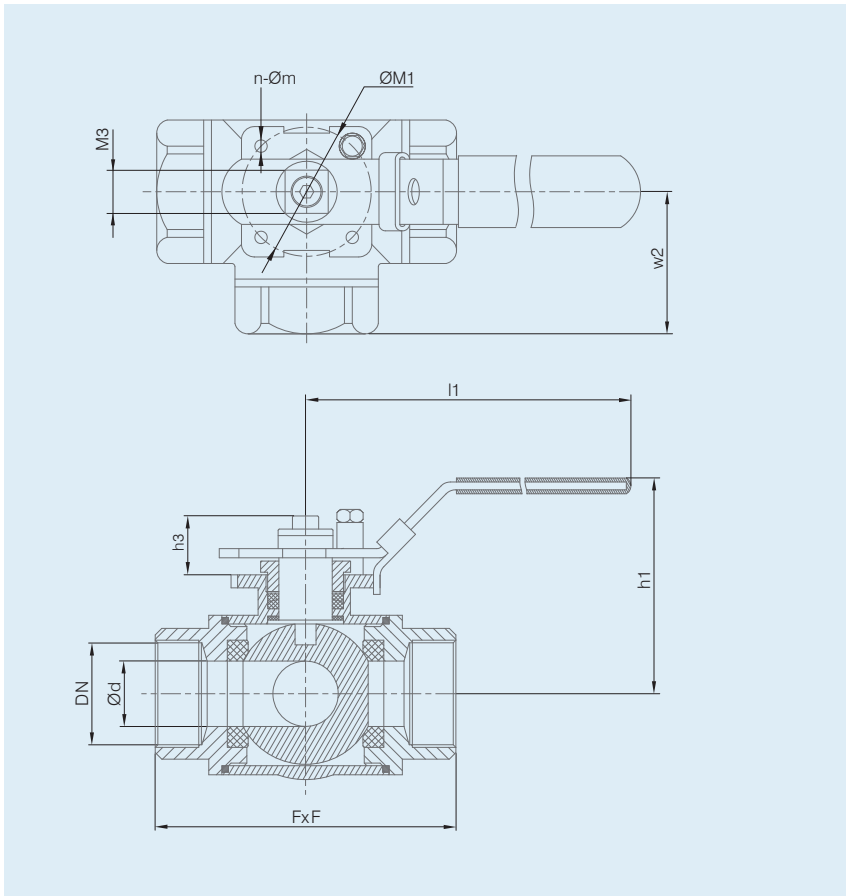
FIGURE 2. FLOW PATTERN

OPTIONS	1	2	3	4
L PORT				
T PORT				

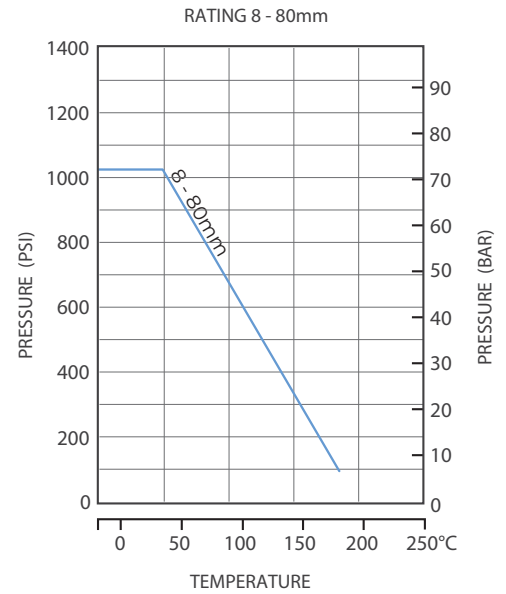
# V3WAY SERIES

## 3 WAY REDUCED BORE BSP LEVER OPERATED BALL VALVE

### DIMENSIONAL DRAWING



### PRESSURE RATINGS



### DIMENSIONS (MM)

V3WAY (DN65 - DN80)								ISO 5211 TOP FLANGE						
DN	NPS	Ø1	FxF	h1	h3	l1	w2	FLANGE NO.	n-Øm	ØM1	M3	TORQUE (N.m)	WEIGHT (KG)	
65	2 1/2"	50	170	115.8	24.5	229.9	85	F7	4-8	70	14	80	7.5	
80	3"	65	195	132	25.5	265	97.5	F10	4-10	102	17	120	12	

### ORDERING CHART

MODEL	PORT	SIZE			ATTACHMENT
V3WAY	L	-08	-25	-65	BSP
	T	-10	-32	-80	NPT
		-15	-40		
		-20	-50		

EXAMPLE	
	V3WAY, T Port, 10mm, BSP
	V3WAY-T-10-BSP