

V2FH-316-300 SERIES

CLASS 300, 2 PIECE DIRECT MOUNT
316 STAINLESS STEEL FLANGED BALL VALVE
DN65 - DN150

TECHNICAL DATA

Size Range:	DN65 - DN150 (2 1/2" - 6")
Pressure Rating:	ANSI-300
Pressure Test:	AP1598
Flange Connection:	ANSI-300
Features:	<ul style="list-style-type: none"> • SS316 body, cap & ball. • Full bore. • Solid ball. • Internal entry blow-out proof stem. • Lever operated. • Direct mounting pad ISO 5211. • Anti-static device, fire-safe design. • Flange pattern as required. • Fire-safe approved on request. • VEE port available on request.

MATERIAL SPECIFICATIONS & PARTS LIST

NO.	DESCRIPTION	MATERIAL	NO.	DESCRIPTION	MATERIAL
1	Body	CF8M	12	Stem Nut	SS304
2	End Cap	CF8M	13	Stopper	SS304
3	Ball	CF8M	14	Bar Handle	SS304
4	Seat	PTFE	15	Plastic Sleeve	Plastic
5	Joint Gasket	PTFE	16	Nut	SS304
6	Stem	SS316	17	Stud Bolt	SS304
7	Thrust Washer	PTFE	18	Nut	SS304
8	O-Ring	Viton	19	Stud Bolt	SS304
9	Stem Packing	PTFE	20	Stopper Pin	SS304
10	Stem Ring	SS304	21	Lock Washer	SS304
11	Belleville Washer	SS304			

DIMENSIONS (MM)

V2FH-316-300 DN65 - DN150																	
DN	NPS	FxF	b	b1	ØD	ØD1	n-Ød1	h1	h2	h3	h4	l1	ØM1	n-Øm	M3	Torque (N.m)	Weight (Kg)
65	2 1/2"	241	25.4	1.6	190	149	8-22.5	156	137	119	6.5	278	70/102	4-9/11	17	36	21
80	3"	283	27	1.6	210	168	8-22.5	167	148	130	6.5	278	70/102	4-9/11	17	61	26.6
100	4"	305	30.2	1.6	254	200	8-22.5	182	164	145	6.5	378	70/102	4-9/11	17	96	42
125	5"	381	35	1.6	280	235	8-22.5	225	202	159	6.8	415	102/125	4-12/14	27	160	80
150	6"	403	36	3	230	270	12-22.5	231	222	175	7.1	415	102/125	4-12/14	27	295	98.8

FACTORY ACCREDITED:



FIRE SAFETY
APPROVAL AP1607



6D-0645



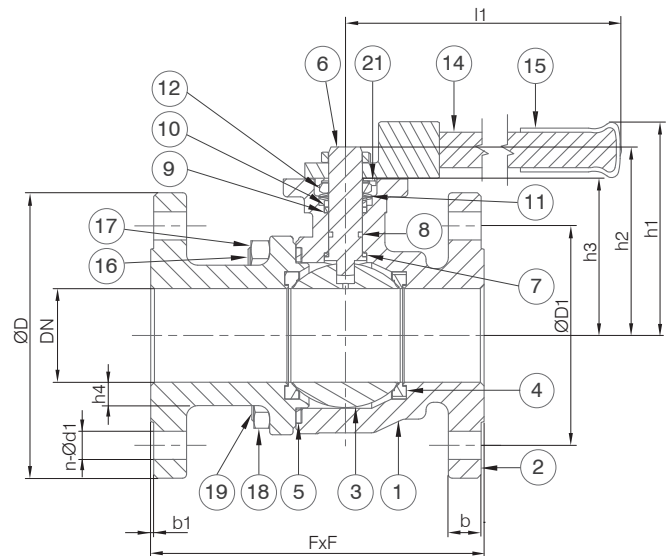
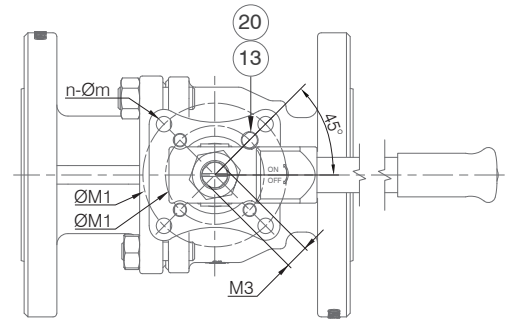
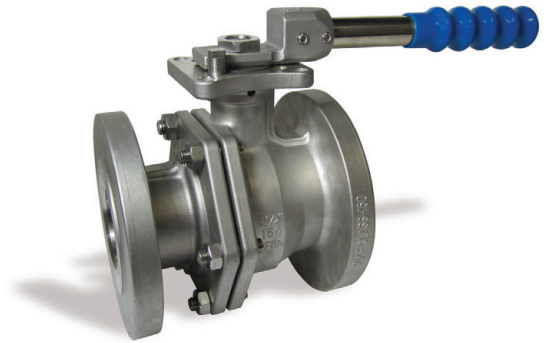
No. WZ 1093
HH 1



NUMBER
0035

Designs, materials and specifications shown are subject to change without notice due to our continuing program of product development.
V2FH-316-300_DN65-DN150_V1_20130618.

All content is protected by Copyright and is owned and/or licensed by AVFI Pty Ltd. Copyright© AVFI Pty Ltd.



PRESSURE RATINGS

