

V3 SERIES

3 PIECE FULL BORE BSP LEVER OPERATED
316 STAINLESS STEEL BALL VALVE

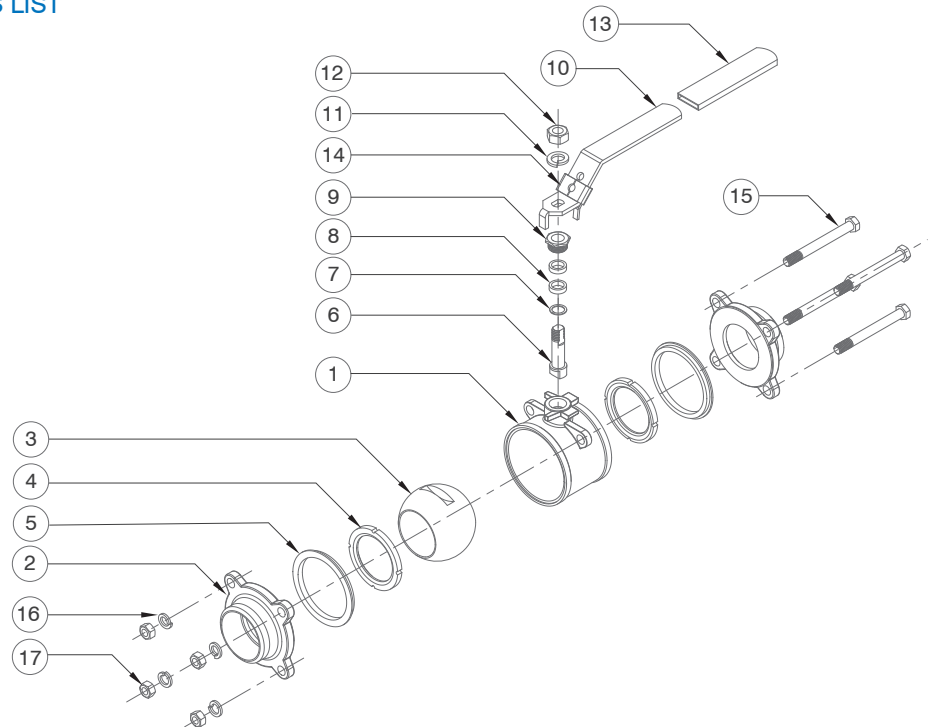
TECHNICAL DATA

Size Range:	DN8 - DN100 (1/4" - 4")
Pressure Rating at 20°C:	1000PSI W.O.G
Pressure Test:	API598
Features:	<ul style="list-style-type: none"> • SS316 body, cap & ball. • Full bore. • Threaded BSP. • Quality Investment casting body & cap. • Internal entry blow-out proof stem. • Lever handle with locking device.



MATERIAL SPECIFICATIONS & PARTS LIST

NO.	DESCRIPTION	MATERIAL
1	Body	CF8M
2	Cap	CF8M
3	Ball	CF8M
4	Ball Seat	PTFE
5	Joint Gasket	PTFE
6	Stem	SS316
7	Thrust Washer	PTFE
8	Stem Packing	PTFE
9	Gland Nut	SS304
10	Handle	SS304
11	Stem Washer	SS304
12	Stem Nut	SS304
13	Handle Sleeve	Plastic
14	Locking Device	SS304
15	Bolt	SS304
16	Spring Washer	SS304
17	Hex Nut	SS304



page 1

FACTORY ACCREDITED:



FIRE SAFETY
APPROVAL AP1607



6D-0645



No. WZ 1093
HH 1



NUMBER
0035

Designs, materials and specifications shown are subject to change without notice due to our continuing program of product development. V3_V3_20130826.

All content is protected by Copyright and is owned and/or licensed by AVFI Pty Ltd. Copyright© AVFI Pty Ltd.

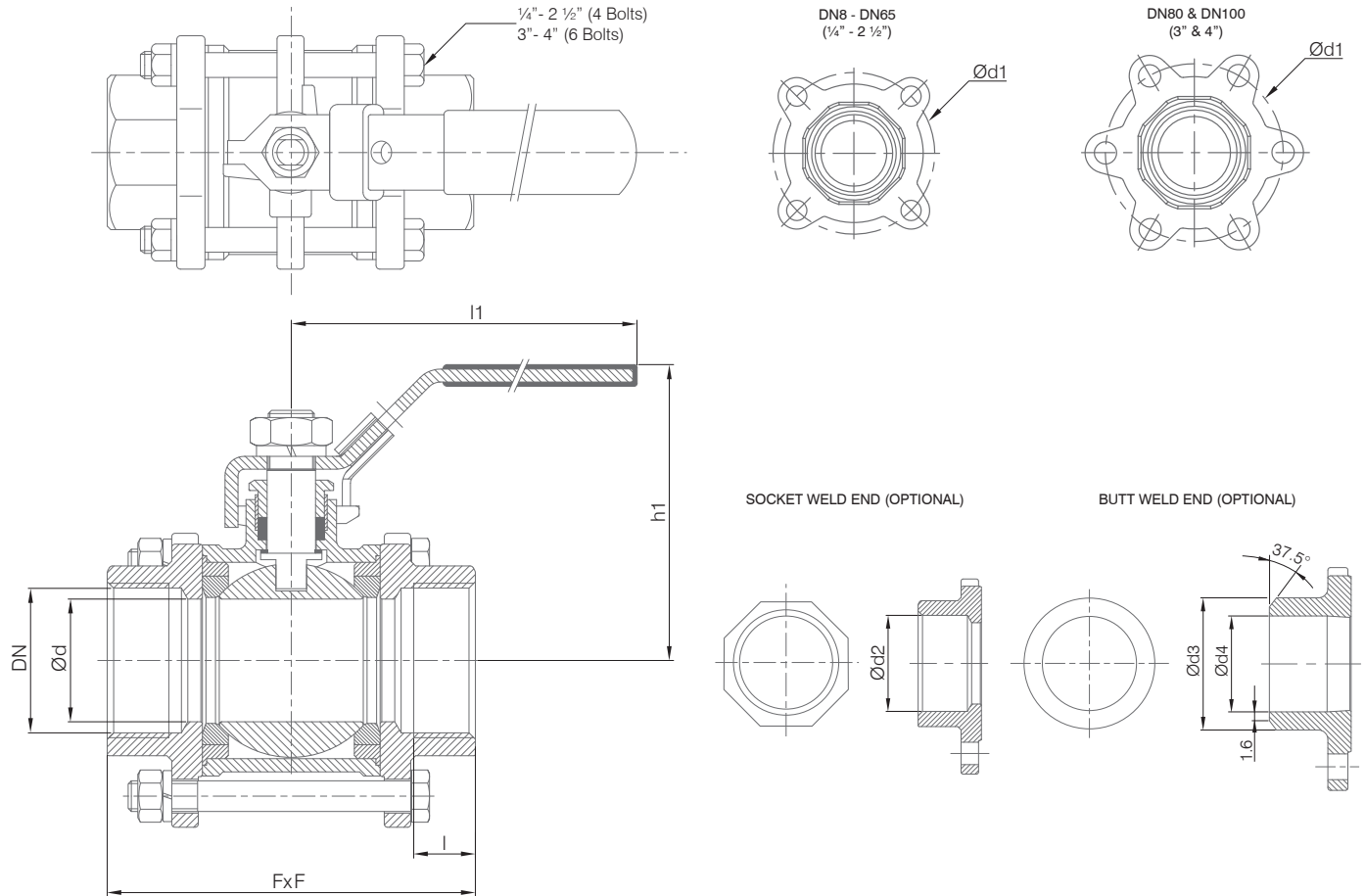
AVFI Pty Ltd: 54 Enterprise Drive, Bundoora, Victoria, Australia 3083
T: 03 8467 0000 F: 03 8467 0099 E: avfi@avfi.com.au www.avfi.com.au

V3 SERIES

3 PIECE FULL BORE BSP LEVER OPERATED
316 STAINLESS STEEL BALL VALVE



DIMENSIONAL DRAWINGS



page 2

DIMENSIONS (MM)

V3 DN8 - DN100										SOCKET & BUTT WELD			
DN	NPS	FxF	Ød	h1	l1	l	CV Factor	Torque (N.m)	Weight (Kg)	Ød1	Ød2	Ød3	Ød4
8	1/4"	58	11.6	54	102	13	6	6	0.33	17	14.1	17	10
10	3/8"	58	12.7	54	102	13	7	8	0.32	17	17.6	17	12.5
15	1/2"	63	15	62	123	13.5	10	11	0.47	21.3	21.7	21.3	16
20	3/4"	73	20	66	123	16	25	14	0.60	26.7	27.1	26.7	20
25	1"	85	25	77	153	17	35	18	0.86	33.6	33.8	33.6	25
32	1 1/4"	96	32	80	153	19.1	46	28	1.34	42.4	42.6	42.4	33.8
40	1 1/2"	114	38	91	183	19.1	80	45	1.96	48	48.7	48	39.5
50	2"	134	50	98	183	23.5	110	52	3.06	60.5	61.1	60.5	50.8
65	2 1/2"	180	65	144	246	32	310	67	6.41	76.1	76.9	76.1	62.7
80	3"	200	80	155	246	39	360	95	9.10	88.9	89.8	88.9	77.9
100	4"	228	100	161	350	33	820	125	14.33	114.2	115.5	114.2	100

PRESSURE RATINGS

