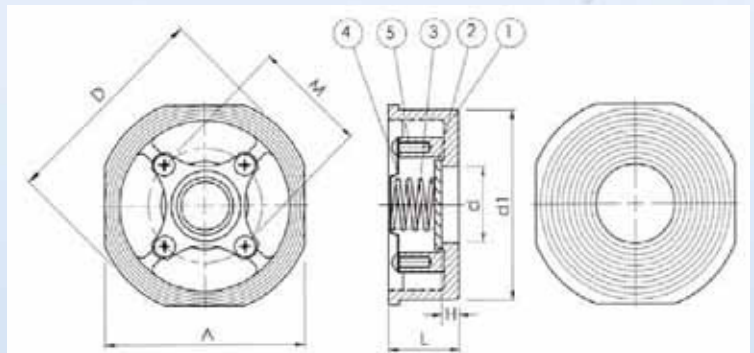


# 1 PIECE STAINLESS STEEL WAFER PN40 SPRING LOADED DISC CHECK VALVES

- Investment casting
- Stainless steel
- Pressure: PN40 (max @ 20°C)
- Spring loaded disc



CRACKING PRESSURE IN KPA			
SIZE (mm)	DIRECTION OF FLOW THROUGH VALVE		
	↑↑	↓↓	⇌
15	2.5	2.1	2.3
20	2.5	2.1	2.3
25	2.5	2.1	2.3
32	2.7	2.1	2.4
40	2.9	2.1	2.5
50	2.9	2.1	2.5
65	3.1	2.1	2.5
80	3.2	2.1	2.6
100	3.3	2.1	2.7

NO.	PART NAME	MATERIAL	Q'TY
1	BODY	ASTM-A351-CF8M	1
2	DISC	ASTM-A351-CF8M	1
3	SPRING	AISI 316	1
4	CAP	AISI 304	1
5	SCREW	AISI 304	4

UNIT:mm									
SIZE	DN	d	d1	A	D	L	M	H	WEIGHT KGS
1/2"	15	15	43	45	53	16.5	27.7	4.4	0.12
3/4"	20	20	53	55	63	19.5	34.2	4.8	0.20
1"	25	25.4	63	65	73	22	39.4	5.4	0.30
1-1/4"	32	30	75	78	84	28	43.7	6.0	0.40
1-1/2"	40	38	86	88	94	32	54.0	6.6	0.60
2"	50	47	96	98	107	40	63.5	7.1	0.80
2-1/2"	65	62.5	115	118	126	46	82.8	7.8	1.50
3"	80	77	130	134	144	50	98.8	8.4	1.90
4"	100	96	151	154	164	60	119.8	9.0	3.30