

ASL SERIES

PILOT OPERATED SOLENOID VALVES



The ASL range is a pilot operated solenoid valve that will work from 0.5 bar pressure and is available in brass or stainless steel.

All models feature investment cast body, interchangeable coils and Viton diaphragm.

ADVANTAGES

- ▷ Normally closed or normally open models.
- ▷ Brass or stainless steel body materials.
- ▷ Viton diaphragm, others available on request.
- ▷ LED din plug available.
- ▷ All voltages interchangeable.



ASLPH



ASLP-316

TECHNICAL DATA

Size Range	10mm - 50mm (3/8" - 2")
Suitable for	Water, air & oil under 20 CST
Maximum Temperature	120°C
Voltages	24VAC, 240VAC, 12VDC, 24VDC, 110VAC
Connections	BSPF (standard) NPT (optional)

ASL SERIES

PILOT OPERATED SOLENOID VALVES

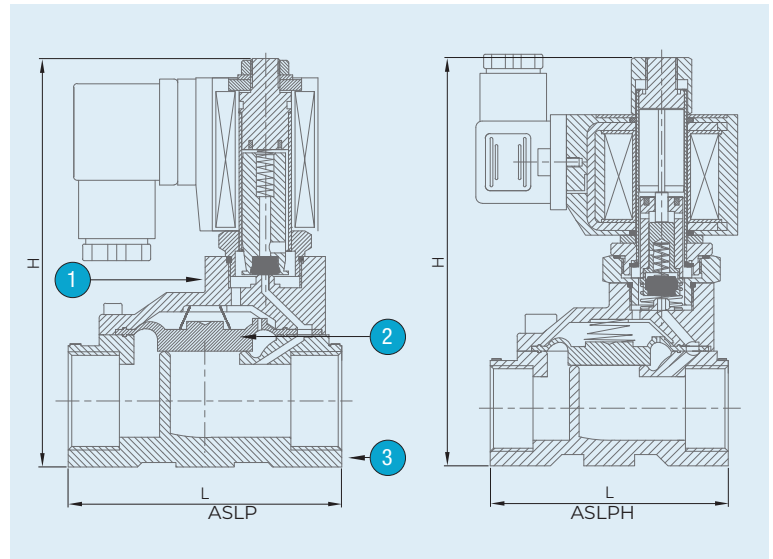
MATERIAL SPECIFICATIONS & PARTS LIST

NO.	DESCRIPTION	MATERIAL
1	Valve Cover	Brass / 316SS
2	Diaphragm	Viton
3	Valve Body	Brass / 316SS

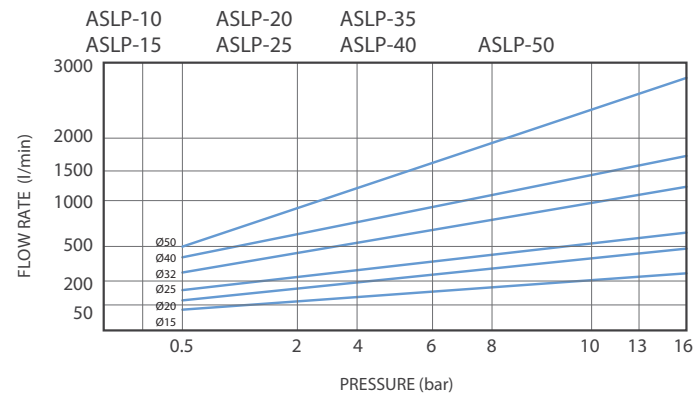
DIMENSIONS (MM)

MODEL	FUNCTION	BODY MATERIAL		DN	NPS	L x H (MM)	CV FACTOR
ASLP & ASLP-316	Normally Closed	ASLP (Brass)	ASLP-316 (SS316)	10	3/8"	67x107	4.5
				15	1/2"	67x107	4.5
				20	3/4"	75x112	7.6
				25	1"	96x126	12
				32	1 1/4"	131x145	22
				40	1 1/2"	131x145	30
ASLPH & ASLPH-316	Normally Open	ASLPH (Brass)	ASLPH-316 (SS316)	10	3/8"	66x124	4.5
				15	1/2"	66x124	4.5
				20	3/4"	75x130	7.6
				25	1"	96x143	12
				32	1 1/4"	131x162	22
				40	1 1/2"	131x162	30
50	2"	165x174	48				

DIMENSIONAL DRAWING



PRESSURE LOSS



SELECTION LIST

MODEL & SIZE	MINIMUM PRESSURE	OPERATING PRESSURE BAR (AIR)		OPERATING PRESSURE BAR (WATER)		OPERATING PRESSURE BAR (OIL)		POWER CONSUMPTION		COIL TYPE & CODE (D=DIN PLUG)			
		AC	DC	AC	DC	AC	DC	24/240VAC (VOLTS AMPS)	12/24DC (WATTS)	240VAC	24VAC	24VDC	12VDC
ASLP & ASLP-316													
10 - 50	0.5	16	16	16	16	13	13	22	13	D04-31014	D04-3104	D04-3106	D04-3107
ASLPH & ASLPH-316													
10 - 50	0.5	13	13	13	13	8	8	48/20	28.5/20	D01-41014	D01-4104	D01-4106	D03-5107

ORDERING CHART

MODEL	STATE		MATERIAL		SIZE	COIL TYPE		EXAMPLE	ASL, Normally Closed, Brass, 10mm, 12V DC ASLP-10-12VDC
ASL	-P	Normal Closed	-	Brass	-10	12VDC	240VAC		
	-PH	Normal Open	-316	316 Stainless Steel	-15	24VDC	110VAC		
					-20	24VAC			

54 Enterprise Drive, Bundoora, VIC, 3083
 p. 1300 789 256 | e. sales@avfi.com.au
 avfi.com.au

Designs, material and specifications shown are subject to change without notice due to our continuing program of product development.

All content is protected by Copyright and is owned and/or licensed by AVFI Pty Ltd. Copyright © AVFI Pty Ltd

